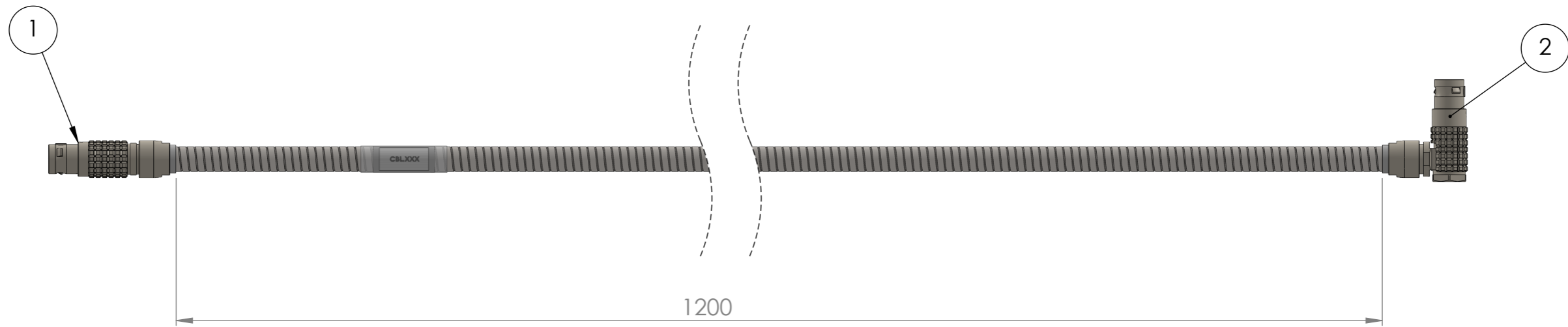


ITEM NO.	DESCRIPTION
1	Fluidic conn. male 10 pin straight [H]
2	Fluidic conn. male 10 pin 90 deg [H]



**Probe cable part number designations**  
Standard length probe cable has part No. HYC.CBL.LEN.012.616 where 012 is (cable length in m) x 10. Other cable lengths are given below.

Length	Part number
1.2m (standard length)	HYC.CBL.LEN.012.616
2m	HYC.CBL.LEN.020.617
3m	HYC.CBL.LEN.030.618
5m	HYC.CBL.LEN.050.619
8m	HYC.CBL.LEN.080.620
10m	HYC.CBL.LEN.100.621
12m	HYC.CBL.LEN.120.622
15m	HYC.CBL.LEN.150.623
20m	HYC.CBL.LEN.200.624

ISSUE	BY	DATE	DETAILS
1	MPH	04/04/2022	First Release

**PART No.:** HYC.CBL.LEN.012.616  
**MATERIAL:** Various  
**Mass[g]:** 461.56  
**FINISH:** N/A

Copyright (2019)  
 This Document and any information or Descriptive Matter set out hereon are the Confidential and Copyright Property of Environmental Monitoring and Control Limited and must not be Disclosed, Loaned, Copied or used for Manufacturing, Tendering or for any other purpose without their written permission.

**ALL DIMENSIONS ARE IN mm**

**GENERAL TOLERANCES**  
 0 Decimal places ± 0.5  
 1 Decimal place ± 0.2  
 2 Decimal places ± 0.1  
 Angles ± 0.5°

**UNLESS OTHERWISE STATED REMOVE ALL SHARP EDGES AND BURRS**  
 Internal blends = R0.5 MAX  
 Break edges = R0.15 MAX  
 General surface finish = 3.2

**Environmental Monitoring and Control Limited**  
Telephone: +44(0)1785 220638 Facsimile: +44(0)1785 214073  
 Registered Office, Unit 2, Brindley Close, Stafford. Registered in England No. 2795460

**TITLE:** Probe cable FL (customer drawing)

**NAME [BOM]:** Probe cable FL

<b>SIZE</b> <span style="font-size: 2em;">A3</span>	<b>DRAWING NUMBER</b> 3A1640	<b>ISSUE</b> 1
--	---------------------------------	-------------------

**SCALE:** 1:2    **DRAWN:** MPH    **DATE:** 04/04/2022    **SHEET 1 OF 1**